

WTH-40/C/1P-275

Requirement class to VDE 0675	C
Requirement class to EN 61643-11	Type 2
Requirement class to IEC61643-1	Class II
Location of use:	Branch sub-distribution boards
Protection modes:	L/N-PE, L-PE, L-N
Protective element:	MOV
Surge discharge ratings:	$I_{max} = 40kA$
Housing:	Modular design

Technical data

Type	WTH-40/C/1P-275	
In accordance with	IEC 61643-1	
Max. continuous operating voltage (AC/DC)	U_c	275/350V
Nominal discharge current (8/20)	I_n	20kA
Max. discharge current (8/20)	I_{max}	40kA
Voltage protection level	U_p	<1.5kV
Residual voltage at 5kA (8/20)	U_{res}	<1.0kV
Follow current	I_f	NO
Response time	t_A	<25ns
Thermal protection	YES	
Terminal screw torque	Max. 3.5Nm	
Back-up fuse (if mains > 100A)	80A gL	
Temperature range	-40°C ... +80°C	
Terminal cross section	35mm ² (solid) / 25mm ² (stranded)	
Din Rail EN60715	35mm top-hat rail	
Protection rating	IP 20	
Housing material	thermoplastic; extinguishing degree UL 94 V-0	
Dimensions DIN 43880	1TE	
Weight per unit		

Ordering code	501 359
---------------	---------

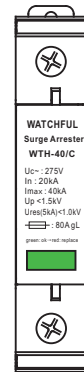
How to name our products

Example:

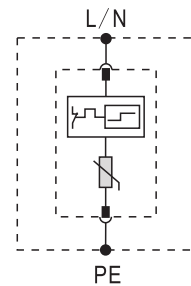


More:	$U_c(AC)$	$U_c(DC)$	U_p	$U_{res}(5kA)$	Ordering code
WTH-40/C/1P-75	100V				501 331
WTH-40/C/1P-115	150V				
WTH-40/C/1P-150	200V				501 345
WTH-40/C/1P-275	350V		1.5kV	1.0kV	501 359
WTH-40/C/1P-320	400V				501 380
WTH-40/C/1P-385	500V				501 401
WTH-40/C/1P-420	600V				501 422
WTH-40/C/1P-550	700V				
WTH-40/C/1P-690	800V				

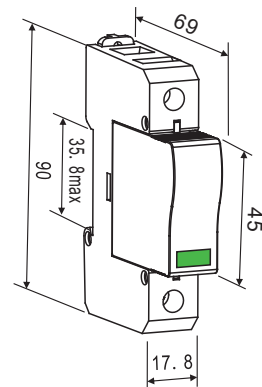
Single-pole
Lightning & Surge Arrester
 $I_{max} = 40kA (8/20)$



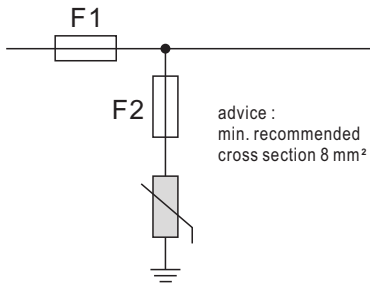
Connection diagram



Dimensions



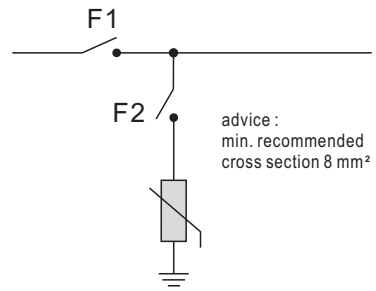
Selection of back-up fuse



$$F1 > 80A gL \Rightarrow F2 = 80A gL$$

$$F1 \leq 80A gL \Rightarrow \cancel{F2}$$

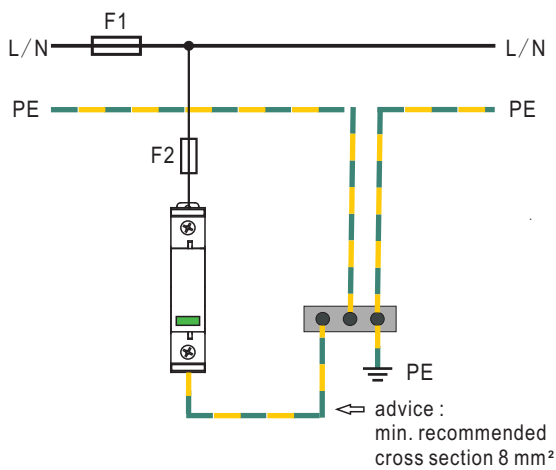
Selection of back-up circuit-breaker



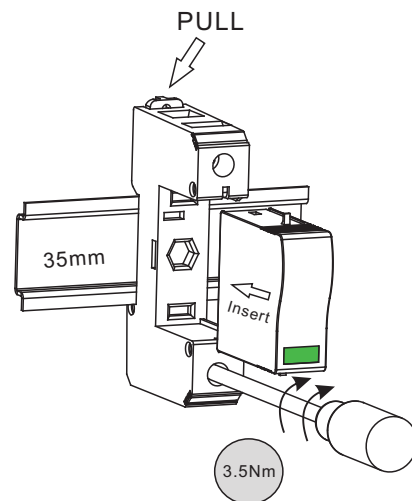
$$F1 > 40A \Rightarrow F2 = 40A$$

$$F1 \leq 40A \Rightarrow \cancel{F2}$$

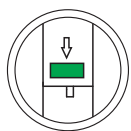
Connections



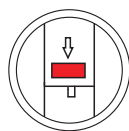
installation



Fault Indication



green : OK



red : fault (replace)

replace

