

WTH-40/C/2P-275

Single-phase
Lightning & Surge Arrester
I_{max} = 40kA (8/20)

Requirement class to VDE 0675	C
Requirement class to EN 61643-11	Type 2
Requirement class to IEC61643-1	Class II
Location of use:	Branch sub-distribution boards
Protection modes:	L-PE,N-PE
Protective element:	MOV
Surge discharge ratings:	I _{max} = 40kA
Housing:	Modular design

Technical data

Type	WTH-40/C/2P-275	
In accordance with	IEC 61643-1	
Max. continuous operating voltage (AC/DC)	U_c	275/350V
Nominal discharge current (8/20)	I_n	20kA
Max. discharge current (8/20)	I_{max}	40kA
Voltage protection level	U_p	<1.5kV
Residual voltage at 5kA (8/20)	U_{res}	<1.0kV
Follow current	I_f	NO
Response time	t_A	< 25ns
Thermal protection	YES	
Terminal screw torque	Max. 3.5Nm	
Back-up fuse (if mains > 80A)	80A gL	
Temperature range	- 40°C ... + 80°C	
Terminal cross section	35mm ² (solid) / 25mm ² (stranded)	
Din Rail EN60715	35mm top-hat rail	
Protection rating	IP 20	
Housing material	thermoplastic; extinguishing degree UL 94 V-0	
Dimensions DIN 43880	2TE	

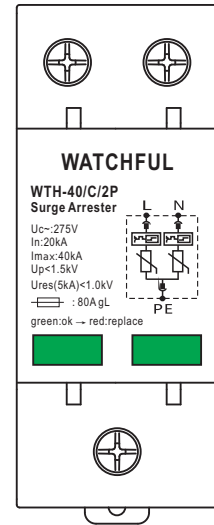
Ordering code	501 360
---------------	---------

How to name our products

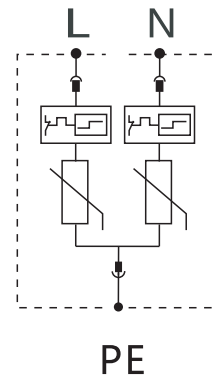
Example:



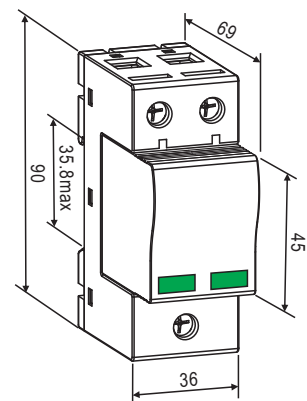
More:	U _c (AC)	U _c (DC)	U _p	U _{res} (5kA)	Ordering code
WTH-40/C/2P-75	100V				501 332
WTH-40/C/2P-115	150V				
WTH-40/C/2P-150	200V				501 346
WTH-40/C/2P-275	350V		1.5kV	1.0kV	501 360
WTH-40/C/2P-320	400V				501 381
WTH-40/C/2P-385	500V				501 402
WTH-40/C/2P-420	600V				501 423
WTH-40/C/2P-550	700V				
WTH-40/C/2P-690	800V				



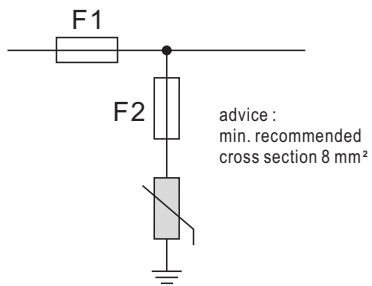
Connection diagram



Dimensions



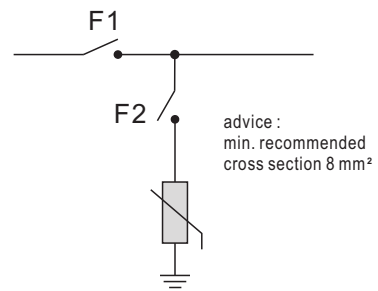
Selection of back-up fuse



$F1 > 80A gL \Rightarrow F2 = 80A gL$

$F1 \leq 80A gL \Rightarrow \cancel{F2}$

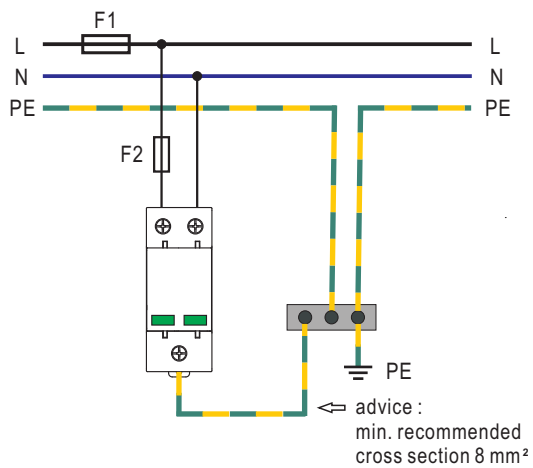
Selection of back-up circuit-breaker



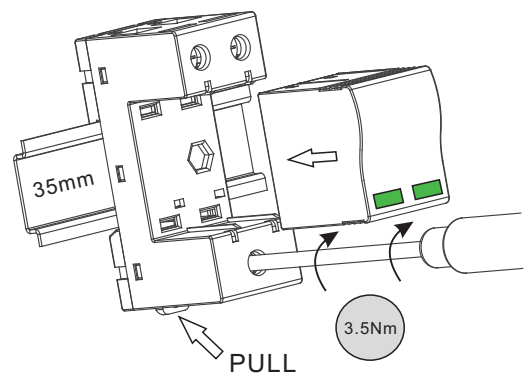
$F1 > 40A \Rightarrow F2 = 40A$

$F1 \leq 40A \Rightarrow \cancel{F2}$

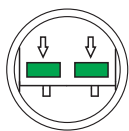
Connections



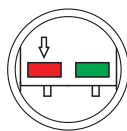
Installation



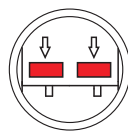
Fault Indication



green : OK



or



red : fault (replace)

replace

