

WTH-40/C/R/1P+NPE-275

Single-phase
Lightning & Surge Arrester
I_{max} = 40kA (8/20)

Requirement class to VDE 0675	C
Requirement class to EN 61643-11	Type 2
Requirement class to IEC61643-1	Class II
Location of use:	Branch sub-distribution boards
Protection modes:	L-N,N-PE
Protective element:	MOV GDT
Surge discharge ratings:	I _{max} = 40kA
Housing:	Modular design

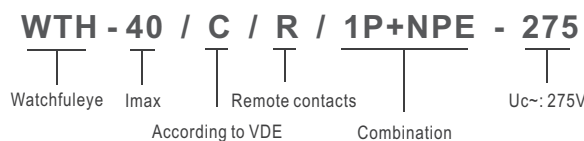
Technical data

Type	WTH-40/C/R/1P+NPE-275	
In accordance with	IEC 61643-1	
Max. continuous operating voltage (AC/DC)	U_c	275/350V 255V (NPE)
Nominal discharge current (8/20)	I_n	20kA 25kA (NPE)
Max. discharge current (8/20)	I_{max}	40kA 65kA (NPE)
Voltage protection level	U_p	<1.5kV <1.0kV (NPE)
Residual voltage at 5kA (8/20)	U_{res}	<1.0kV <0.3kV (NPE)
Follow current	I_f	NO 100A RMS (NPE)
Response time	t_A	< 25ns < 100ns (NPE)
Thermal protection		YES NO (NPE)
Terminal screw torque		Max. 3.5Nm
Back-up fuse (if mains > 80A)		80A gL NO (NPE)
Temperature range		-40°C ... +80°C
Terminal cross section		35mm ² (solid) / 25mm ² (stranded)
Din Rail EN60715		35mm top-hat rail
Protection rating		IP 20
Housing material		thermoplastic; extinguishing degree UL 94 V-0
Dimensions DIN 43880		2TE

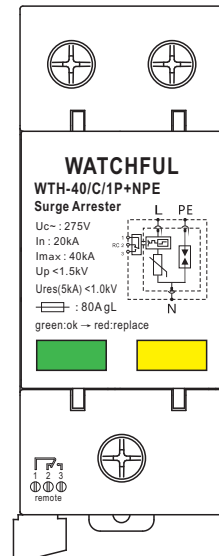
Ordering code	501 370
---------------	---------

How to name our products

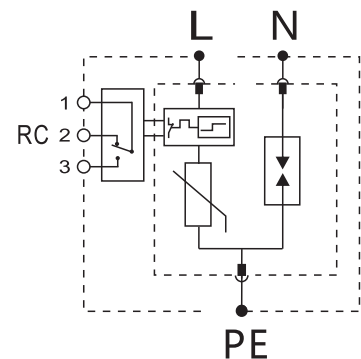
Example:



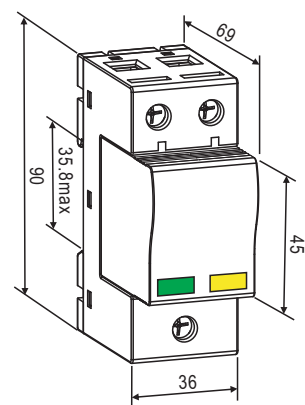
More:	U _c (AC)	U _c (DC)	U _p	U _{res} (5kA)	Ordering code
WTH-40/C/R/1P+NPE-75	100V				501 342
WTH-40/C/R/1P+NPE-115	150V				
WTH-40/C/R/1P+NPE-150	200V				501 356
WTH-40/C/R/1P+NPE-275	350V		1.5kV	1.0kV	501 370
WTH-40/C/R/1P+NPE-320	400V				501 391
WTH-40/C/R/1P+NPE-385	500V				501 412
WTH-40/C/R/1P+NPE-420	600V				501 433
WTH-40/C/R/1P+NPE-550	700V				
WTH-40/C/R/1P+NPE-690	800V				



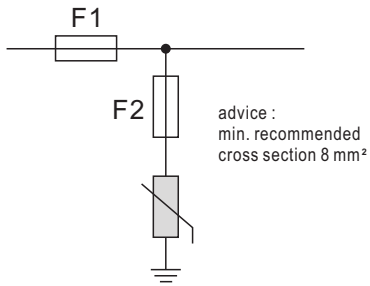
Connection diagram



Dimensions



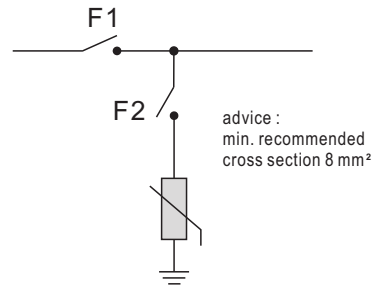
Selection of back-up fuse



$F1 > 80A_{gL} \Rightarrow F2 = 80A_{gL}$

$F1 \leq 80A_{gL} \Rightarrow \cancel{F2}$

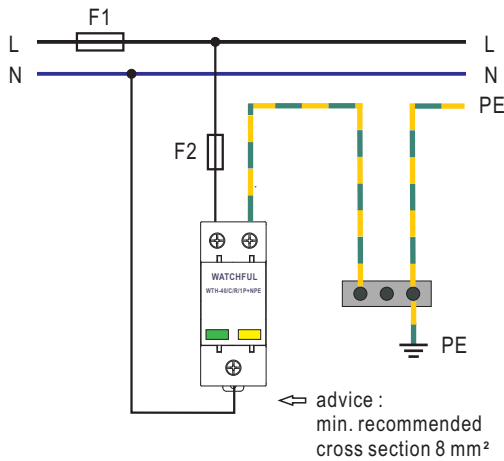
Selection of back-up circuit-breaker



$F1 > 40A \Rightarrow F2 = 40A$

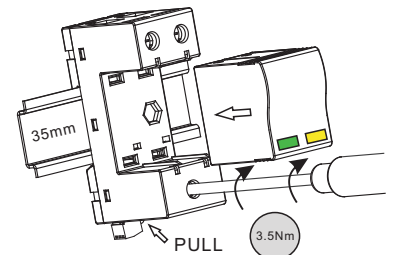
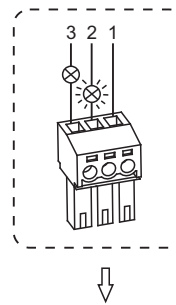
$F1 \leq 40A \Rightarrow \cancel{F2}$

Connections



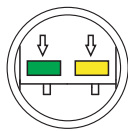
Installation

Remote Contacts

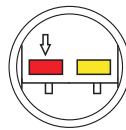


Terminal cross section : 1.5mm² (max)
U_{max}: AC125V I_{max}:1A

Fault Indication



Green and yellow : OK



red : fault (replace)

replace

