

WTH-40/C/R/2P-275

Single-phase
Lightning & Surge Arrester
 $I_{max} = 40kA (8/20)$

Requirement class to VDE 0675	C
Requirement class to EN 61643-11	Type 2
Requirement class to IEC61643-1	Class II
Location of use:	Branch sub-distribution boards
Protection modes:	L-PE,N-PE
Protective element:	MOV
Surge discharge ratings:	$I_{max} = 40kA$
Housing:	Modular design

Technical data

Type	WTH-40/C/R/2P-275	
In accordance with	IEC 61643-1	
Max. continuous operating voltage (AC/DC)	Uc	275/350V
Nominal discharge current (8/20)	In	20kA
Max. discharge current (8/20)	I_{max}	40kA
Voltage protection level	Up	<1.5kV
Residual voltage at 5kA (8/20)	U_{res}	<1.0kV
Follow current	I_f	NO
Response time	t_A	< 25ns
Thermal protection	YES	
Terminal screw torque	Max. 3.5Nm	
Back-up fuse (if mains > 80A)	80A gL	
Temperature range	- 40°C ... + 80°C	
Terminal cross section	35mm ² (solid) / 25mm ² (stranded)	
Din Rail EN60715	35mm top-hat rail	
Protection rating	IP 20	
Housing material	thermoplastic; extinguishing degree UL 94 V-0	
Dimensions DIN 43880	2TE	

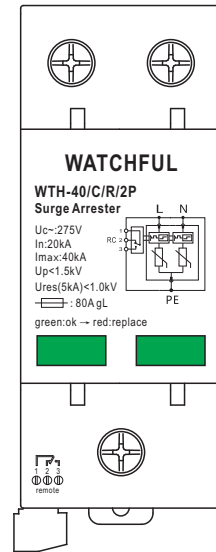
Ordering code	501 367
---------------	---------

How to name our products

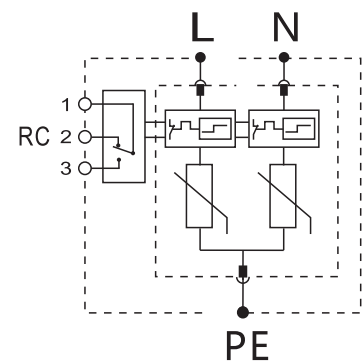
Example:



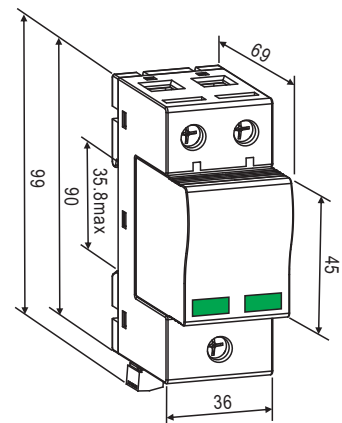
More:	Uc(AC)	Uc(DC)	Up	Ures(5kA)	Ordering code
WTH-40/C/R/2P-75		100V			501 339
WTH-40/C/R/2P-115		150V			
WTH-40/C/R/2P-150		200V			501 353
WTH-40/C/R/2P-275		350V	1.5kV	1.0kV	501 367
WTH-40/C/R/2P-320		400V			501 388
WTH-40/C/R/2P-385		500V			501 409
WTH-40/C/R/2P-420		600V			501 430
WTH-40/C/R/2P-550		700V			
WTH-40/C/R/2P-690		800V			



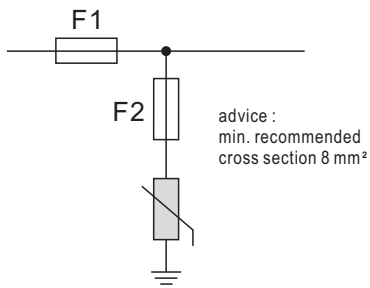
Connection diagram



Dimensions



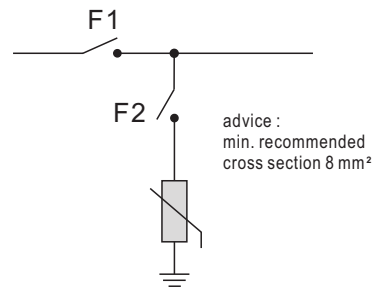
Selection of back-up fuse



$F1 > 80A_{gL} \Rightarrow F2 = 80A_{gL}$

$F1 \leq 80A_{gL} \Rightarrow \text{no symbol}$

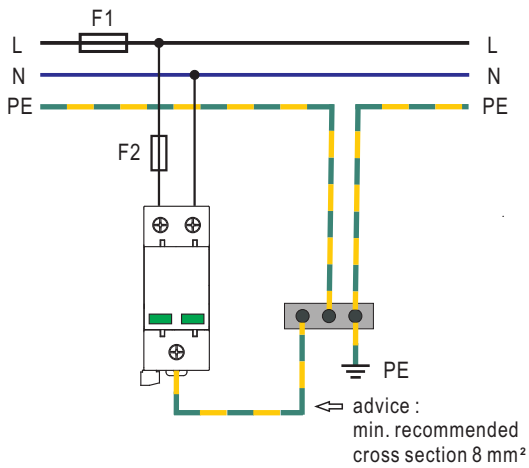
Selection of back-up circuit-breaker



$F1 > 40A \Rightarrow F2 = 40A$

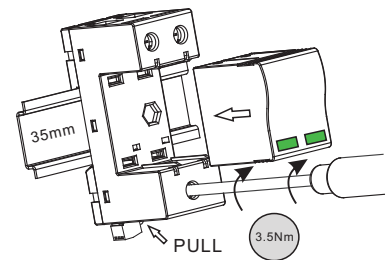
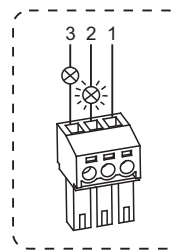
$F1 \leq 40A \Rightarrow \text{no symbol}$

Connections



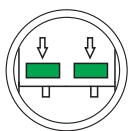
Installation

Remote Contacts

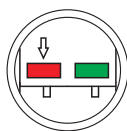


Terminal cross section : 1.5mm² (max)
U_{max}: AC125V I_{max}:1A

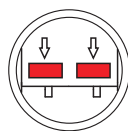
Fault Indication



green : OK



or



red : fault (replace)

replace

