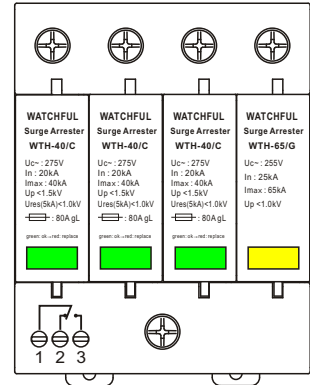


WTH-40/C/R/3P+NPE-275

Three-phase Lightning & Surge Arrester I_{max} = 40kA (8/20)

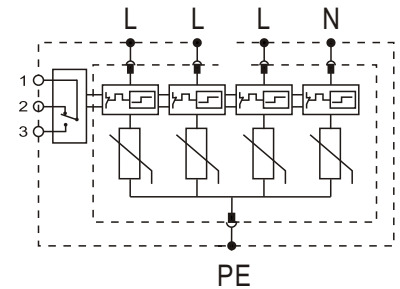
Requirement class to VDE 0675	C
Requirement class to EN 61643-11	Type 2
Requirement class to IEC61643-1	Class II
Location of use:	Branch sub-distribution boards
Protection modes:	L-N,N-PE
Protective element:	MOV GDT
Surge discharge ratings:	I _{max} = 40kA
Housing:	Modular design



Technical data

Type	WTH-40/C/R/3P+NPE-275	
In accordance with	IEC 61643-1	
Max. continuous operating voltage (AC/DC)	U _c	275/350V 255V (NPE)
Nominal discharge current (8/20)	I _n	20kA 25kA (NPE)
Max. discharge current (8/20)	I _{max}	40kA 65kA (NPE)
Voltage protection level	U _p	<1.5kV <1.0kV (NPE)
Residual voltage at 5kA (8/20)	U _{res}	<1.0kV <0.3kV (NPE)
Follow current	I _f	NO 100A RMS (NPE)
Response time	t _A	< 25ns < 100ns (NPE)
Thermal protection		YES NO (NPE)
Terminal screw torque		Max. 3.5Nm
Back-up fuse (if mains > 80A)		80A gL NO (NPE)
Temperature range		- 40°C ... + 80°C
Terminal cross section		35mm ² (solid) / 25mm ² (stranded)
Din Rail EN60715		35mm top-hat rail
Protection rating		IP 20
Housing material		thermoplastic; extinguishing degree UL 94 V-0
Dimensions DIN 43880		4TE

Connection diagram



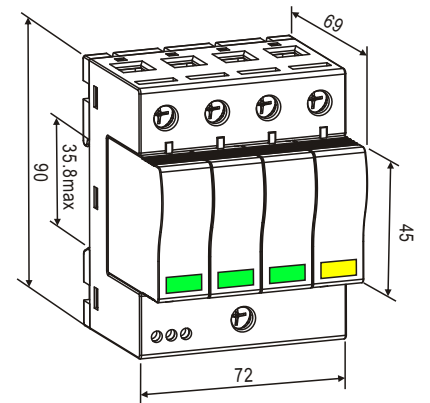
Ordering code	501 372
---------------	---------

How to name our products

Example:

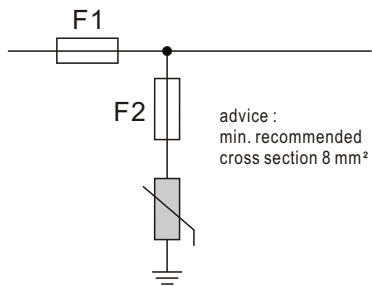


Dimensions



More:	U _c (AC)	U _c (DC)	U _p	U _{res} (5kA)	Ordering code
WTH-40/C/R/3P+NPE-75		100V			501 344
WTH-40/C/R/3P+NPE-115		150V			
WTH-40/C/R/3P+NPE-150		200V	1.2kV	0.8kV	501 358
WTH-40/C/R/3P+NPE-275		350V	1.5kV	1.0kV	501 372
WTH-40/C/R/3P+NPE-320		400V			501 393
WTH-40/C/R/3P+NPE-385		500V	1.8kV	1.2kV	501 414
WTH-40/C/R/3P+NPE-420		600V			501 435
WTH-40/C/R/3P+NPE-550		700V			
WTH-40/C/R/3P+NPE-690		800V			

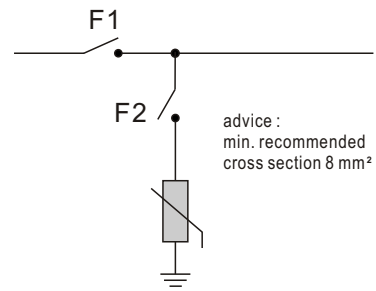
Selection of back-up fuse



$$F1 > 80A_{gL} \Rightarrow F2 = 80A_{gL}$$

$$F1 \leq 80A_{gL} \Rightarrow \cancel{F2}$$

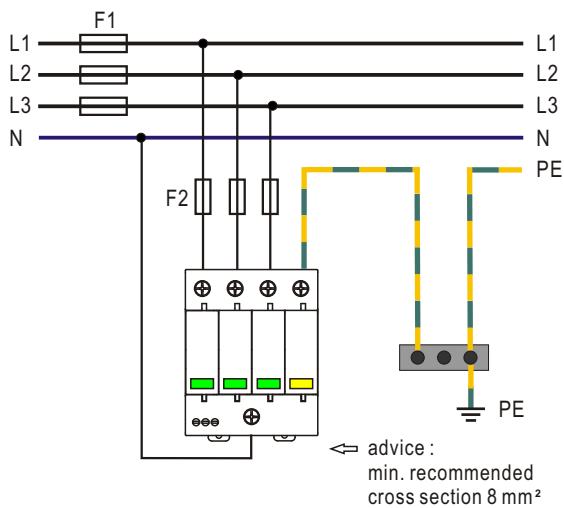
Selection of back-up circuit-breaker



$$F1 > 40A \Rightarrow F2 = 40A$$

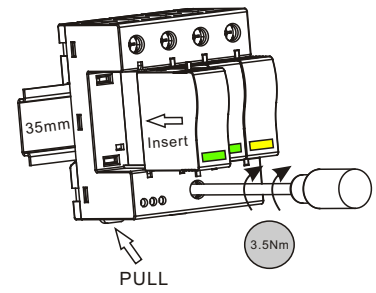
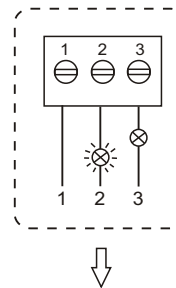
$$F1 \leq 40A \Rightarrow \cancel{F2}$$

Connections



installation

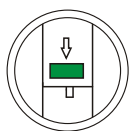
Remote Contacts



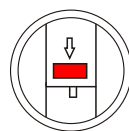
Terminal cross section: 2mm² (max)

U_{max}: AC125V I_{max}:1A

Fault Indication



green : OK



red : fault (replace)

replace

