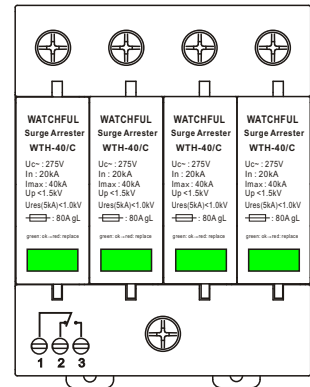


# WTH-40/C/R/4P-275

## Three-phase Lightning & Surge Arrester I<sub>max</sub> = 40kA (8/20)

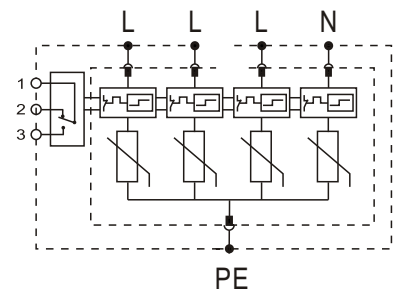
Requirement class to VDE 0675	C
Requirement class to EN 61643-11	Type 2
Requirement class to IEC61643-1	Class II
Location of use:	Branch sub-distribution boards
Protection modes:	L-PE,N-PE
Protective element:	MOV
Surge discharge ratings:	I <sub>max</sub> = 40kA
Housing:	Modular design



### Technical data

Type	WTH-40/C/4P-275	
In accordance with	IEC 61643-1	
Max. continuous operating voltage (AC/DC)	U <sub>c</sub>	275/350V
Nominal discharge current (8/20)	I <sub>n</sub>	20kA
Max. discharge current (8/20)	I <sub>max</sub>	40kA
Voltage protection level	U <sub>p</sub>	<1.5kV
Residual voltage at 5kA (8/20)	U <sub>res</sub>	<1.0kV
Follow current	I <sub>f</sub>	NO
Response time	t <sub>A</sub>	< 25ns
Thermal protection	YES	
Terminal screw torque	Max. 3.5Nm	
Back-up fuse (if mains > 80A)	80A gL	
Temperature range	- 40°C ... + 80°C	
Terminal cross section	35mm <sup>2</sup> (solid) / 25mm <sup>2</sup> (stranded)	
Din Rail EN60715	35mm top-hat rail	
Protection rating	IP 20	
Housing material	thermoplastic; extinguishing degree UL 94 V-0	
Dimensions DIN 43880	4TE	

### Connection diagram



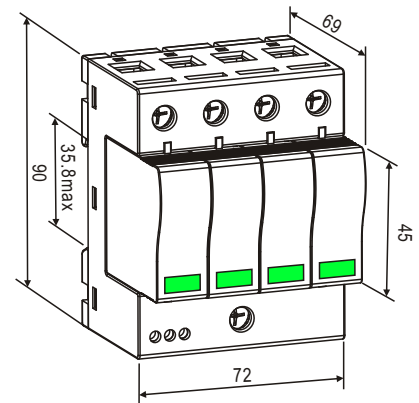
Ordering code	501 369
---------------	---------

### How to name our products

Example:

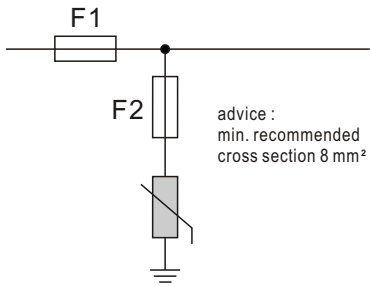


### Dimensions



More:	U <sub>c</sub> (AC)	U <sub>c</sub> (DC)	U <sub>p</sub>	U <sub>res</sub> (5kA)	Ordering code
WTH-40/C/R/4P-75		100V			501 341
WTH-40/C/R/4P-115		150V			
WTH-40/C/R/4P-150		200V			501 355
WTH-40/C/R/4P-275		350V	1.5kV	1.0kV	501 369
WTH-40/C/R/4P-320		400V			501 390
WTH-40/C/R/4P-385		500V	1.8kV	1.2kV	501 411
WTH-40/C/R/4P-420		600V			501 432
WTH-40/C/R/4P-550		700V			
WTH-40/C/R/4P-690		800V			

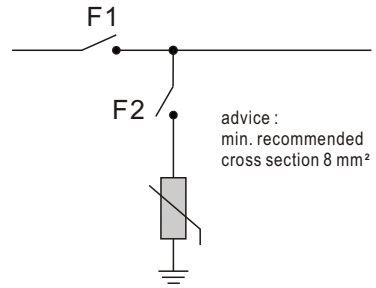
## Selection of back-up fuse



$$F1 > 80A gL \Rightarrow F2 = 80A gL$$

$$F1 \leq 80A gL \Rightarrow \cancel{F2}$$

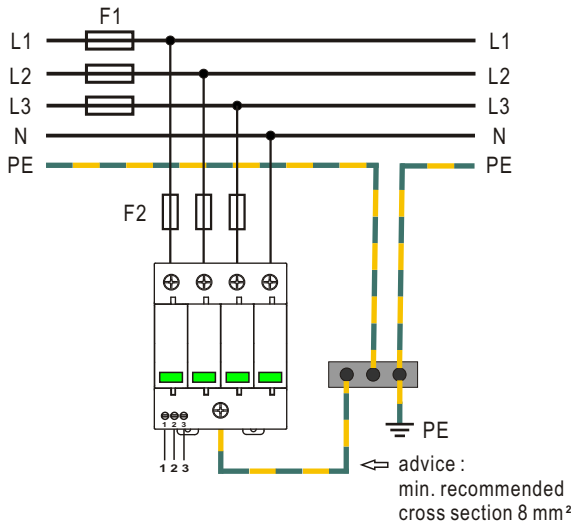
## Selection of back-up circuit-breaker



$$F1 > 40A \Rightarrow F2 = 40A$$

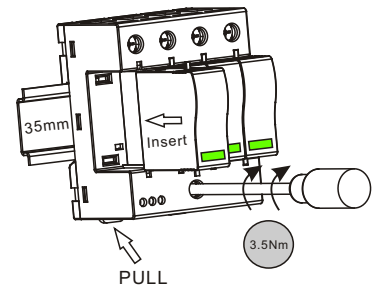
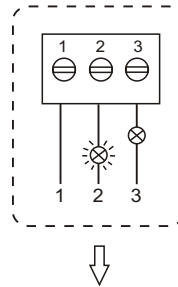
$$F1 \leq 40A \Rightarrow \cancel{F2}$$

## Connections



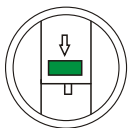
## installation

### Remote Contacts

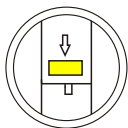


Terminal cross section: 2mm<sup>2</sup> (max)  
U<sub>max</sub>: AC125V I<sub>max</sub>:1A

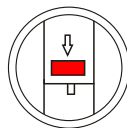
## Fault Indication



green : OK



yellow : OK



red : fault (replace)

replace

