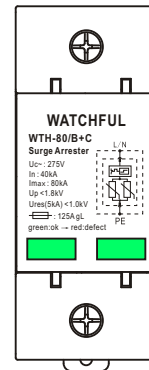


# WTH-80/B+C/1P-275

Single-pole  
Lightning & Surge Arrester  
 $I_{max} = 80kA (8/20)$   
 $I_{imp} = 5kA (10/350)$

Requirement class to VDE 0675	B+C
Requirement class to EN 61643-11	Type 1+2
Requirement class to IEC61643-1	Class I+II
Location of use:	Main distribution boards
Protection modes:	L/N-PE,L-PE,L-N
Protective element:	High Energy MOV
High surge discharge ratings:	$I_{imp} = 5kA (10/350)$
Housing:	Compact design



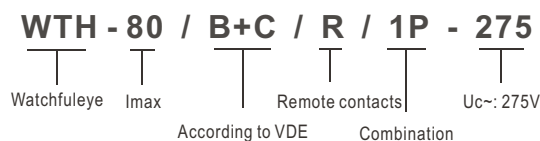
## Technical data

Type	WTH-80/B+C/1P-275	
In accordance with	IEC 61643-1	
Max. continuous operating voltage (AC/DC)	Uc	275/350V
Nominal discharge current (8/20)	In	40kA
Max. discharge current (8/20)	Imax	80kA
Pulsed current (10/350)	Iimp	5kA
Voltage protection level	Up	<1.8kV
Residual voltage at 5kA (8/20)	Ures	<1.0kV
Follow current	If	NO
Response time	tA	< 25ns
Thermal protection	YES	
Terminal screw torque	Max. 3.5Nm	
Back-up fuse (if mains > 125A)	125A gL	
Temperature range	-40°C ... +80°C	
Terminal cross section	35mm <sup>2</sup> (solid) / 25mm <sup>2</sup> (stranded)	
Din Rail EN60715	35mm top-hat rail	
Protection rating	IP 20	
Housing material	thermoplastic; extinguishing degree UL 94 V-0	
Dimensions DIN 43880	2TE	

Ordering code	501 733
---------------	---------

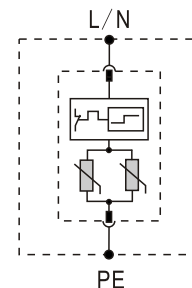
### How to name our products

Example:

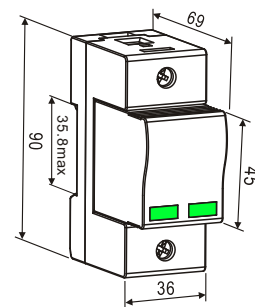


More:	Uc(AC)	Uc(DC)	Up	Ures(5kA)	Ordering code
WTH-80/B+C/1P-75	100V	0.7kV	0.5kV	0.5kV	501 705
WTH-80/B+C/1P-115	150V	0.9kV	0.7kV	0.7kV	501 706
WTH-80/B+C/1P-150	200V	1.1kV	0.8kV	0.8kV	501 719
WTH-80/B+C/1P-275	350V	1.5kV	1.1kV	1.1kV	501 733
WTH-80/B+C/1P-320	400V	1.7kV	1.2kV	1.2kV	501 754
WTH-80/B+C/1P-385	500V	2.1kV	1.3kV	1.3kV	501 775
WTH-80/B+C/1P-420	600V	2.5kV	1.5kV	1.5kV	501 796
WTH-80/B+C/1P-550	700V	2.8kV	1.7kV	1.7kV	501 797
WTH-80/B+C/1P-690	800V	3.1kV	2.2kV	2.2kV	501 810

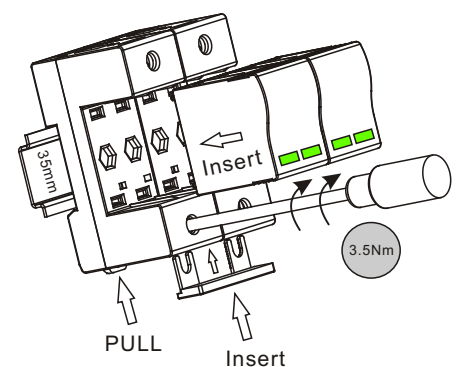
## Connection diagram



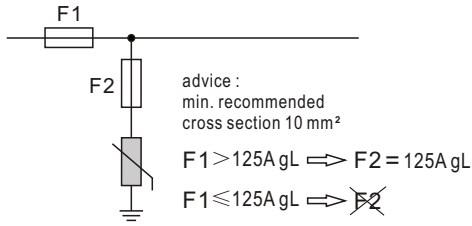
## Dimensions



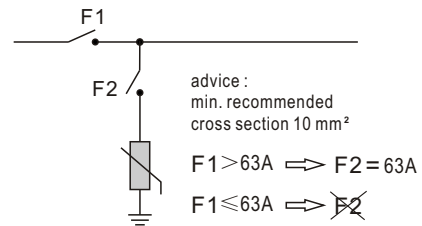
## Installation Example:



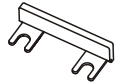
## Selection of back-up fuse



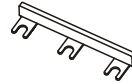
## Selection of back-up circuit-breaker



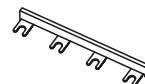
## Packaging dimensions



Type: WTH-2P/100  
Ordering code: 502 133

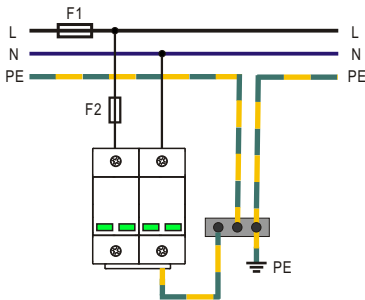


Type: WTH-3P/100  
Ordering code: 502 134

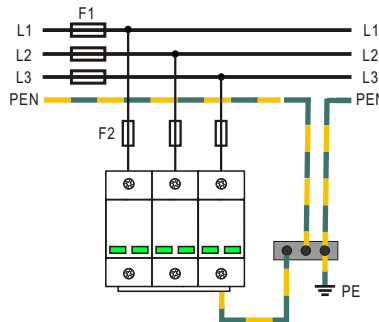


Type: WTH-4P/100  
Ordering code: 502 135

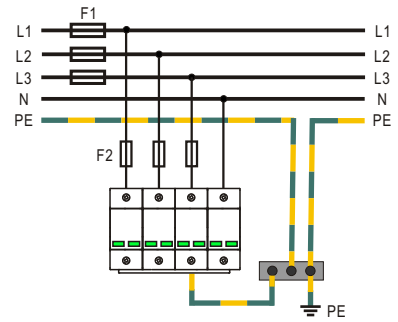
## Connections



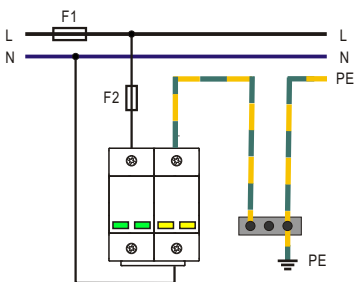
2P



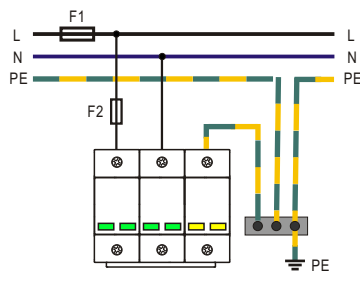
3P



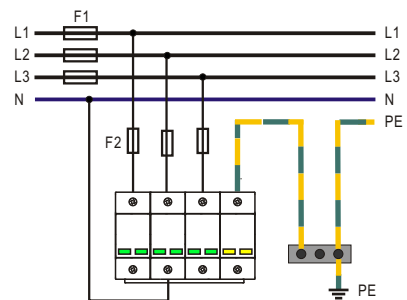
4P



1P+NPE

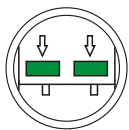


2P+NPE

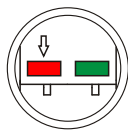


3P+NPE

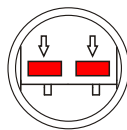
## Fault Indication



green : OK



or



red : fault (replace)

replace

