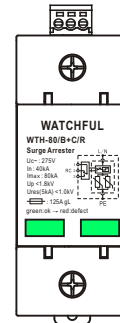


# WTH-80/B+C/R/1P-275

Single-pole  
Lightning & Surge Arrester  
 $I_{max} = 80kA (8/20)$   
 $I_{imp} = 5kA (10/350)$

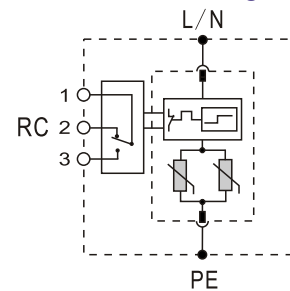
Requirement class to VDE 0675	B+C
Requirement class to EN 61643-11	Type 1+2
Requirement class to IEC61643-1	Class I+II
Location of use:	Main distribution boards
Protection modes:	L/N-PE,L-PE,L-N
Protective element:	High Energy MOV
High surge discharge ratings:	$I_{imp} = 5kA (10/350)$
Housing:	Compact design



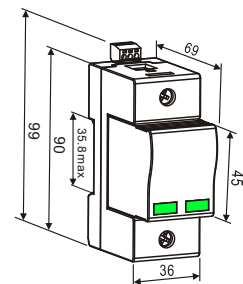
## Technical data

Type	WTH-80/B+C/R/1P-275	
In accordance with	IEC 61643-1	
Max. continuous operating voltage (AC/DC)	$U_c$	275/350V
Nominal discharge current (8/20)	$I_n$	40kA
Max. discharge current (8/20)	$I_{max}$	80kA
Pulsed current (10/350)	$I_{imp}$	5kA
Voltage protection level	$U_p$	<1.8kV
Residual voltage at 5kA (8/20)	$U_{res}$	<1.0kV
Follow current	$I_f$	NO
Response time	$t_A$	< 25ns
Thermal protection	YES	
Terminal screw torque	Max. 3.5Nm	
Back-up fuse (if mains > 125A)	125AgL	
Temperature range	-40°C ... +80°C	
Terminal cross section	35mm <sup>2</sup> (solid) / 25mm <sup>2</sup> (stranded)	
Din Rail EN60715	35mm top-hat rail	
Protection rating	IP 20	
Housing material	thermoplastic; extinguishing degree UL 94 V-0	
Dimensions DIN 43880	2TE	
<b>Ordering code</b>	<b>501 740</b>	

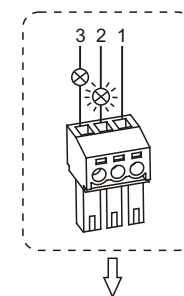
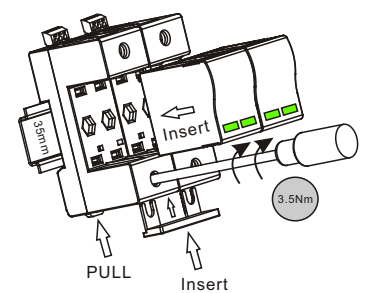
## Connection diagram



## Dimensions



## Installation



Terminal cross section: 1.5mm<sup>2</sup> (max)  
 $U_{max}$ : AC125V  $I_{max}$ :1A

### How to name our products

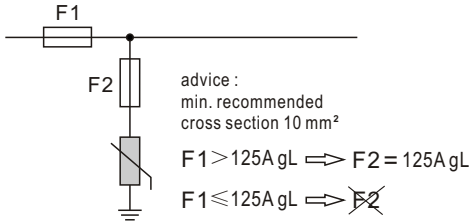
Example:

**WTH - 80 / B+C / R / 1P - 275**

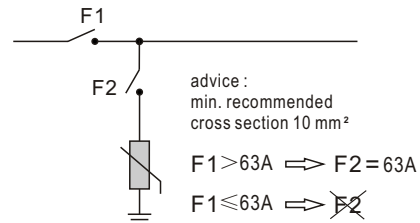


More:	$U_c$ (AC)	$U_c$ (DC)	$U_p$	$U_{res}$ (5kA)	Ordering code
<b>WTH-80/B+C/R/1P-75</b>	100V	0.7kV	0.5kV	0.5kV	501 712
<b>WTH-80/B+C/R/1P-115</b>	150V	0.9kV	0.7kV	0.7kV	501 713
<b>WTH-80/B+C/R/1P-150</b>	200V	1.1kV	0.8kV	0.8kV	501 726
<b>WTH-80/B+C/R/1P-275</b>	350V	1.5kV	1.1kV	1.1kV	501 740
<b>WTH-80/B+C/R/1P-320</b>	400V	1.7kV	1.2kV	1.2kV	501 761
<b>WTH-80/B+C/R/1P-385</b>	500V	2.1kV	1.3kV	1.3kV	501 782
<b>WTH-80/B+C/R/1P-420</b>	600V	2.5kV	1.5kV	1.5kV	501 803
<b>WTH-80/B+C/R/1P-550</b>	700V	2.8kV	1.7kV	1.7kV	501 804
<b>WTH-80/B+C/R/1P-690</b>	800V	3.1kV	2.2kV	2.2kV	501 817

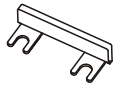
## Selection of back-up fuse



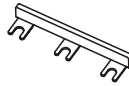
## Selection of back-up circuit-breaker



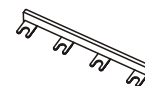
## Packaging dimensions



Type: WTH-2P/100  
Ordering code: 502 133

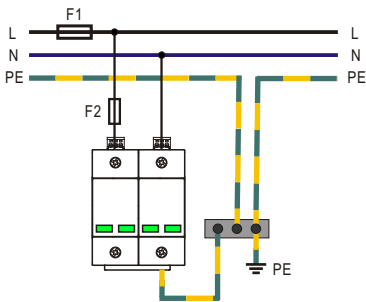


Type: WTH-3P/100  
Ordering code: 502 134

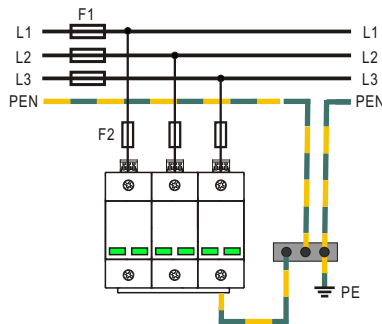


Type: WTH-4P/100  
Ordering code: 502 135

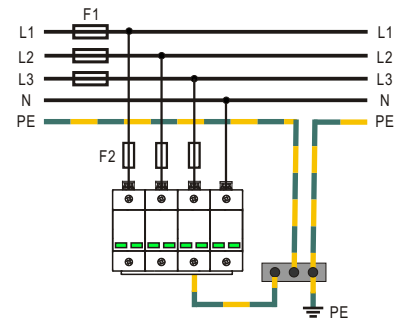
## Connections



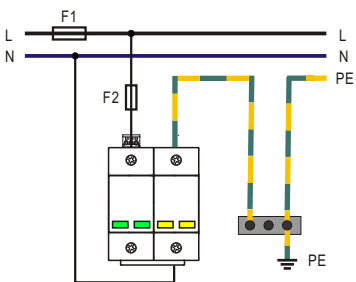
2P



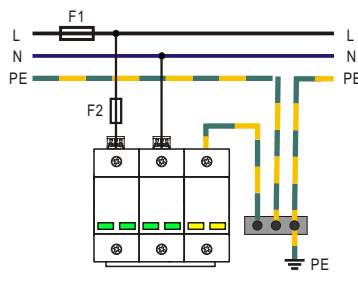
3P



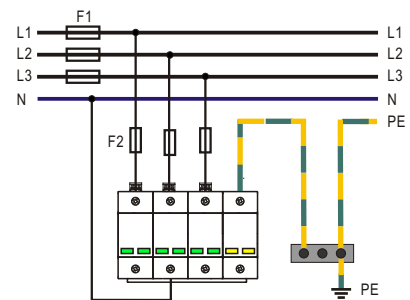
4P



1P+NPE

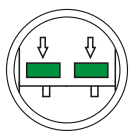


2P+NPE

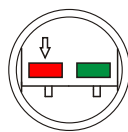


3P+NPE

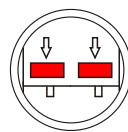
## Fault Indication



green : OK



red : fault (replace)



or

replace

